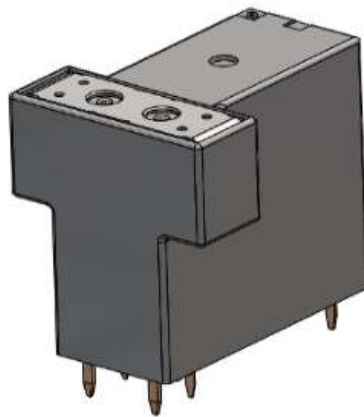


Product Overview

Coming
Soon

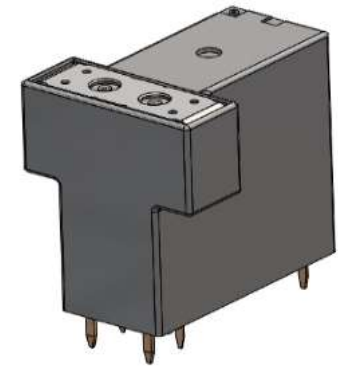
Compact High-Voltage DC Power Relay

G2RG-X



■ What's new?

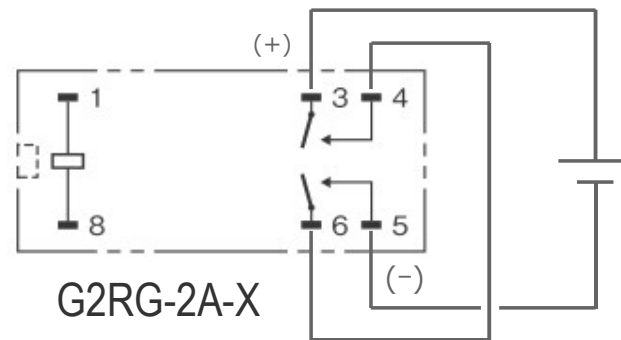
- G2RG-X is developed for inrush current prevention circuit in energy related equipment such as energy storage system (ESS).
- 10A, 500VDC high-voltage switching with a magnetic arc control design.
- Low power consumption (0.8W) with a single coil structure.
- Compact body and small footprint (13.5mm X 29.0mm)



■ Advantages for customers

1. Supports [simplified circuit design](#) and [energy saving](#) with a single coil structure.

Circuit connection example (2-pole series wiring)



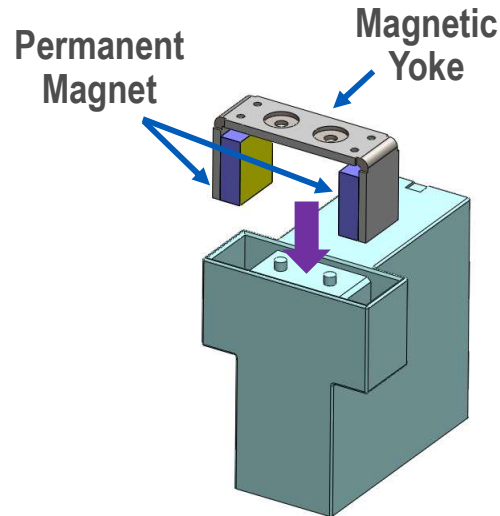
2. Helps [miniaturize PC boards](#) with a small footprint.

Footprint: 13.5 mm X 29.0 mm

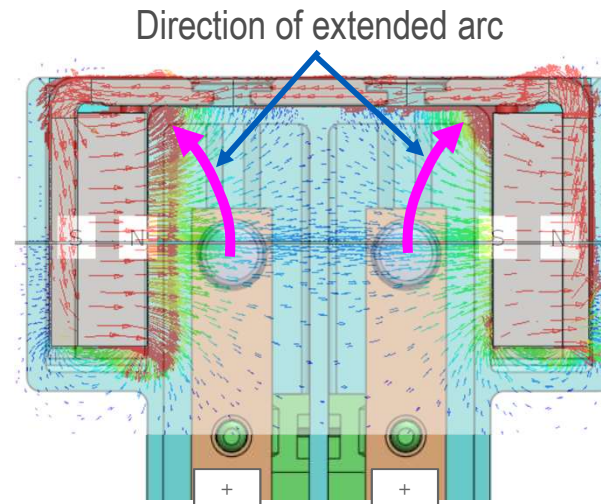
■ Omron advanced technologies

The generated electrical arc should be extended for stable circuit breaking in high DC switching. Our arc control structural design realizes a miniaturization of the reliable high DC power relay.

- ① Electrical arc is extended by permanent magnets near the contacts.
- ② The magnetic field is designed to control suitable direction of arc.
The magnetic yoke blocks influence of external magnetic fields.
- ③ The adequate empty space for the arc extension reduces deterioration of electrical endurance.

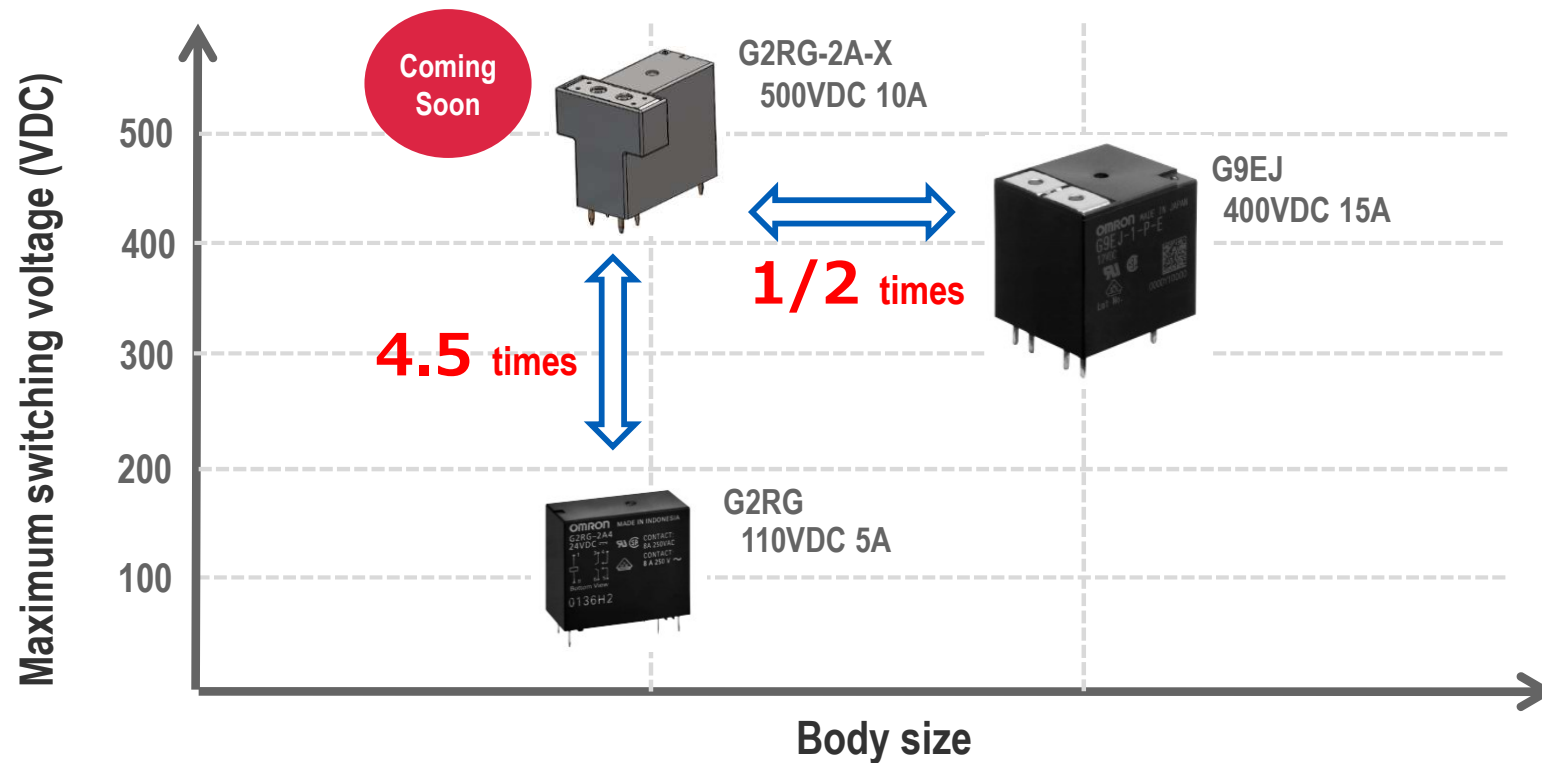


Magnetic Field Analysis

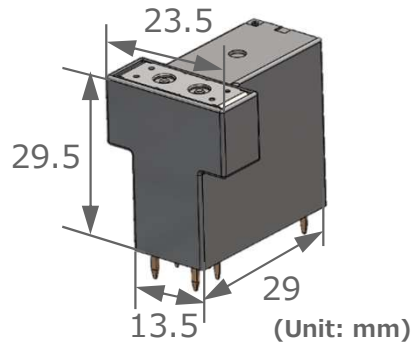


Product lineup

High voltage (500VDC) power relay with a compact body.



■ Preliminary product specifications



Terminal Assignment
Internal Connections
(BOTTOM VIEW)

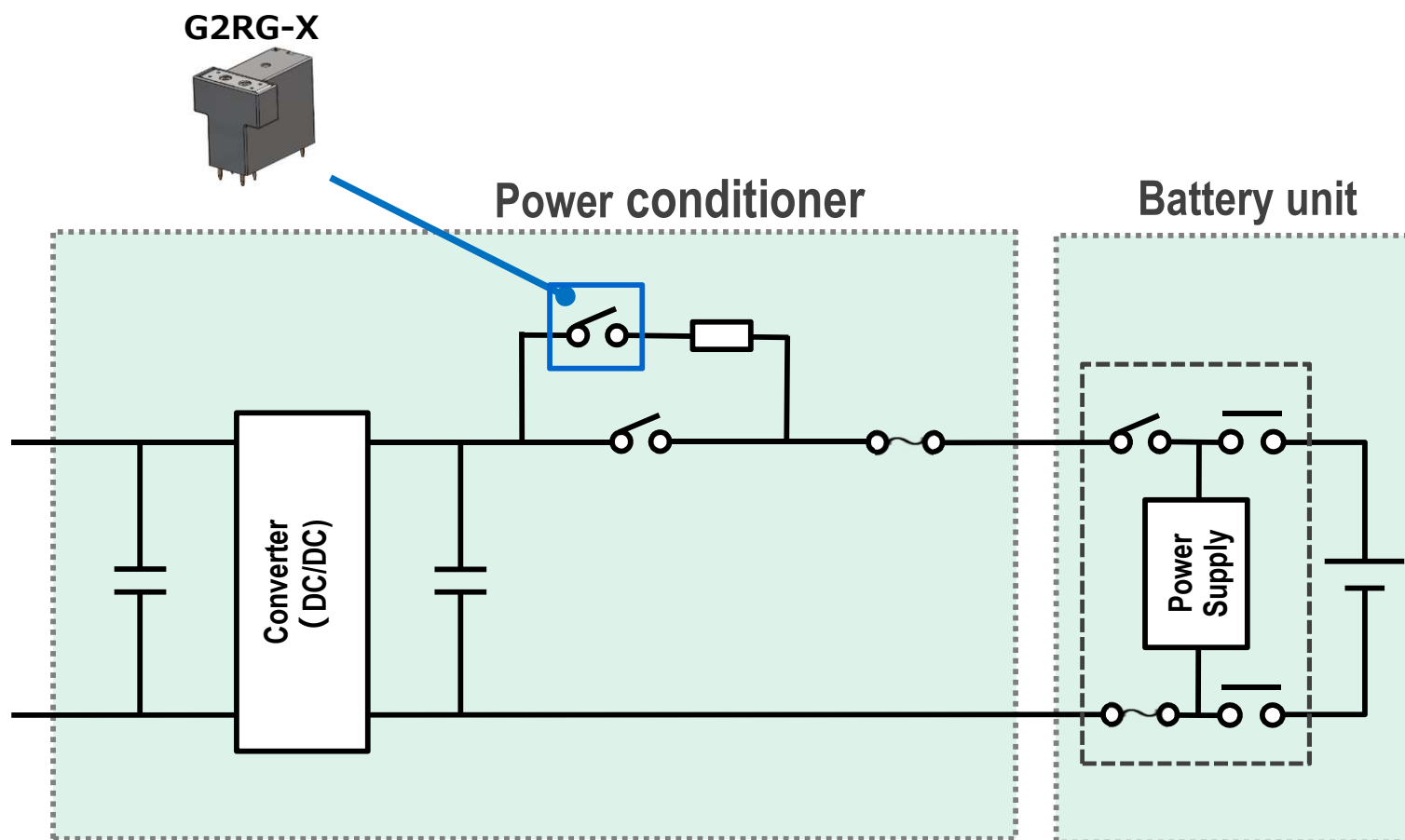


G2RG-2A-X

Item	Specifications
Contact gap	3 mm at 2-pole series wiring * A single contact: 1.5 mm min.
Contact type	Double break
Contact polarity	Polarized
Rated load (Resistive load)	500VDC, 10A at 2-pole series wiring
Electrical durability	10,000 operations
Coil consumption power	0.8 W
Enclosure rating	Flux protection
Ambient operating temperature	-40~+85°C

■ Application example

Inrush current prevention circuit for ESS





Please check each region's Terms & Conditions by region website.

OMRON Corporation

Electronic and Mechanical Components Company

Regional Contact

Americas : <https://www.components.omron.com/>

Asia-Pacific : <https://ecb.omron.com.sg/>

Korea : <https://www.omron-ecb.co.kr/>

Europe : <http://components.omron.eu/>

China : <https://www.ecb.omron.com.cn/>

Japan : <https://www.omron.co.jp/ecb/>